

STANDARD INSTRUMENT DEPARTURES (SID)
VANDI SEVEN DEPARTURE (NON-JET) (RNAV)
DARWIN, NT (YPDN)

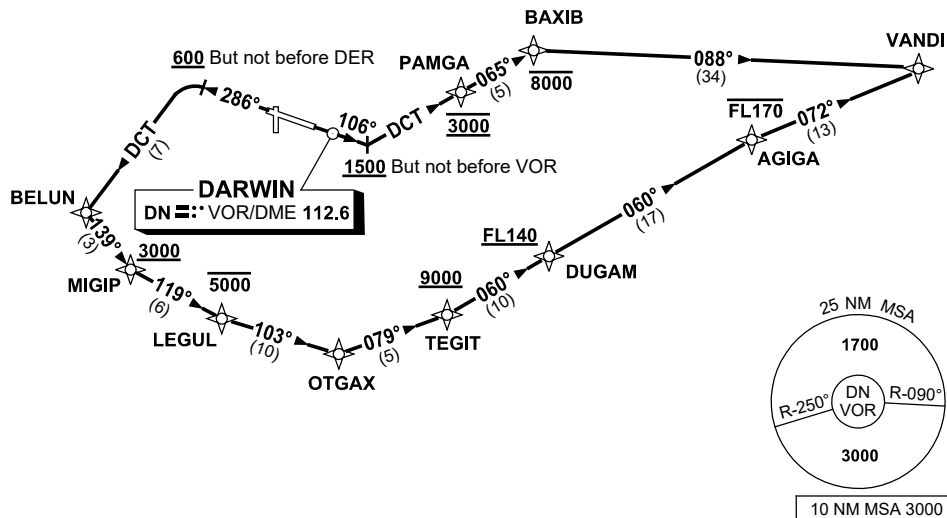
13 JUN 2024

ATIS 128.25 308 316.2	ACD 126.8	SMC 121.8	TWR 133.1	APP-E 125.2 APP-W 134.1	Bearings are Magnetic Elevations in FEET AMSL
-----------------------------	--------------	--------------	--------------	----------------------------	--

NOT TO SCALE



**SPEED
MAX IAS 250KT
BELOW 10,000FT**
RNP 1



VANDI SEVEN DEPARTURE

RWY 11

- GRAD 3.3%
- Track 106°
- AT or ABV 1500ft, but not before VOR
turn LEFT, track DCT to PAMGA
Cross PAMGA AT 3000ft
- Track 065° to BAXIB
Cross BAXIB AT or BLW 8000ft
- Turn RIGHT, track 088° to VANDI

RWY 29

- GRAD 3.3% (GRAD 7% to 3000ft)
- Track 286°
- AT or ABV 600ft, but not before DER,
turn LEFT track DCT to BELUN
- Turn LEFT, track 139° to MIGIP
Cross MIGIP AT or ABV 3000ft
- Turn LEFT, track 119° to LEGUL
Cross LEGUL AT or BLW 5000ft
- Turn LEFT, track 103° to OTGAX
- Turn LEFT, track 079° to TEGIT
Cross TEGIT AT or ABV 9000ft
- Turn LEFT, track 060° to DUGAM
Cross DUGAM AT or ABV FL140
- Track 060° to AGIGA
Cross AGIGA AT or BLW FL170
- Turn RIGHT, track 072° to VANDI

Changes: VALIDITY NR, AGIGA WPT.

PDNDP10-179